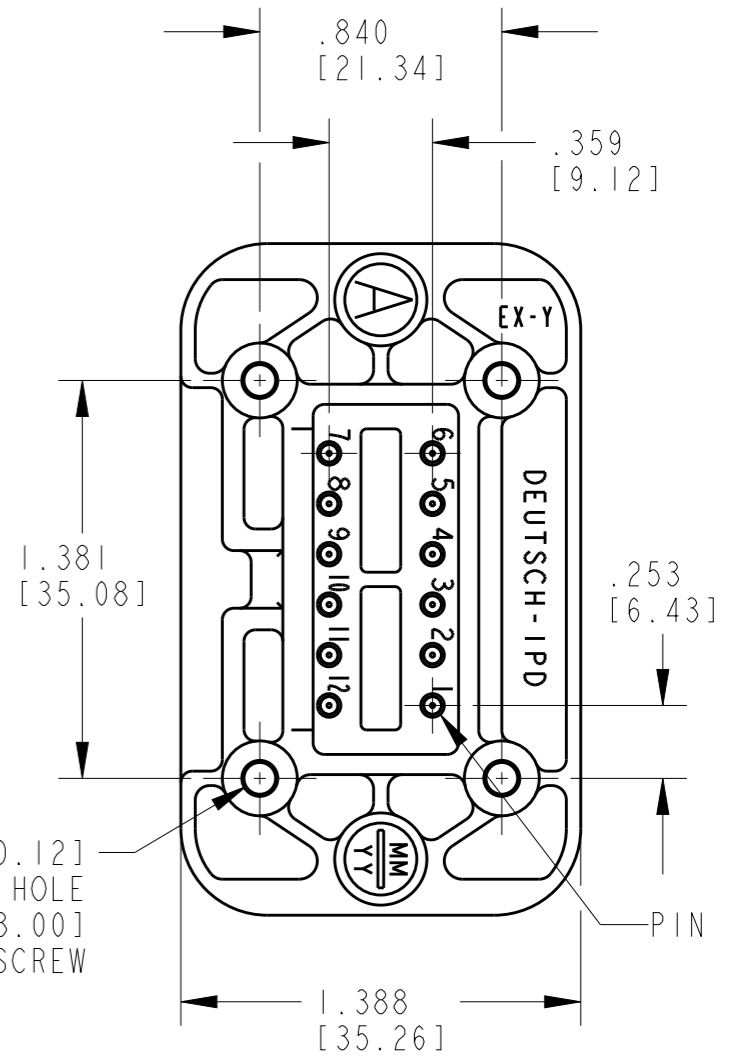
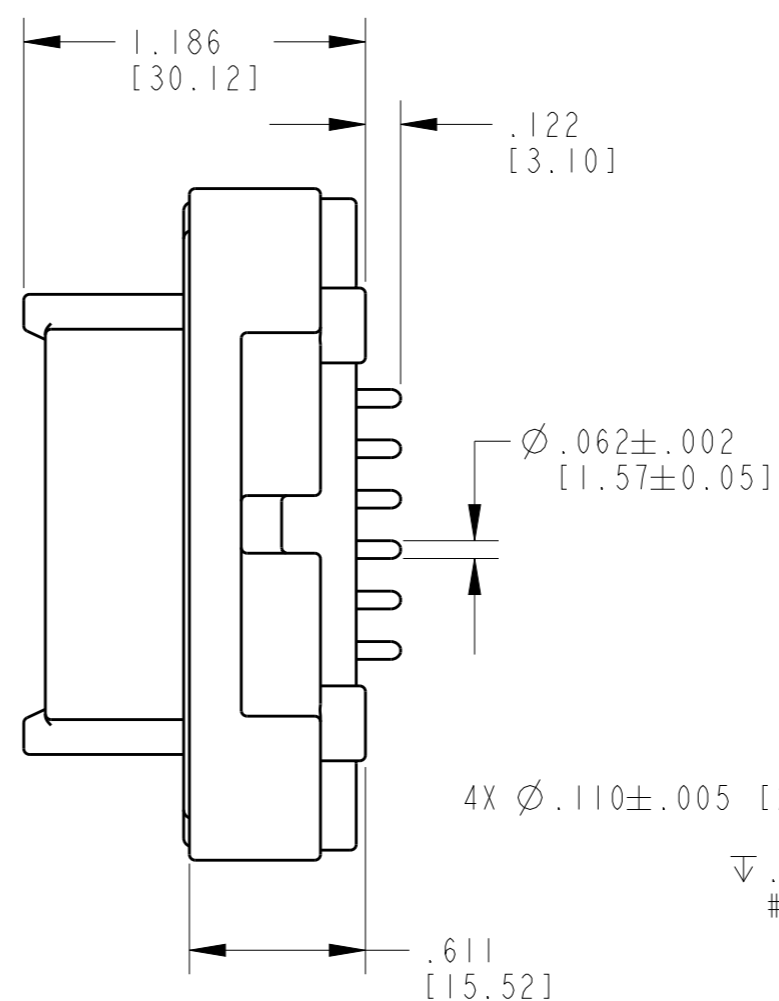
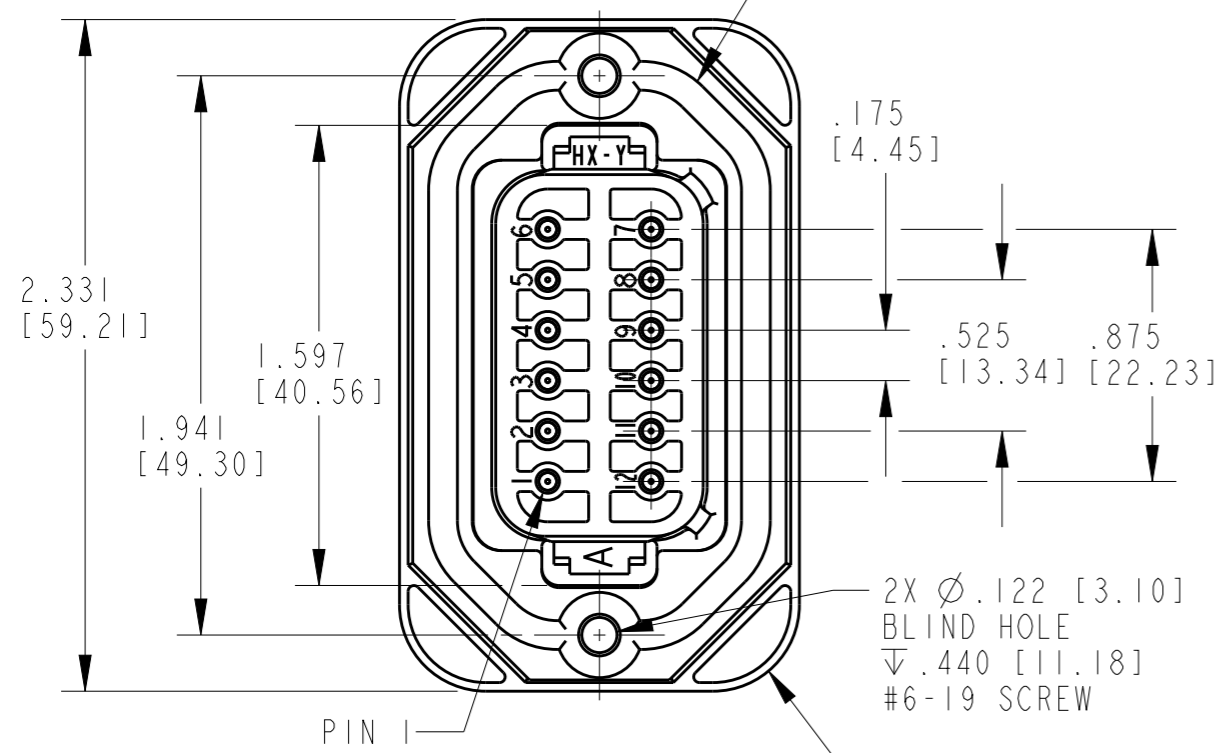
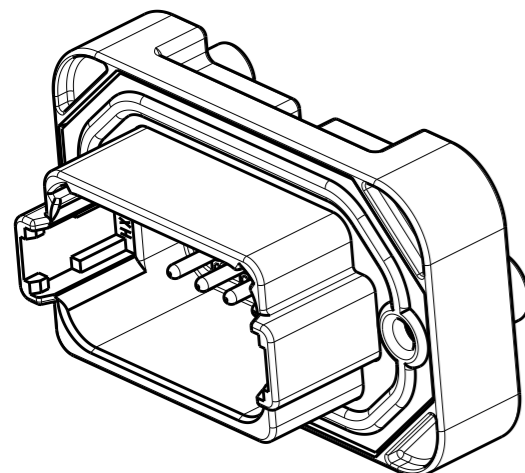


THIS DRAWING IS UNPUBLISHED
 RELEASED FOR PUBLICATION 2016
 © COPYRIGHT 2016 BY TE CONNECTIVITY ALL RIGHTS RESERVED.

LOC	DIST	REVISIONS			
P	LTR	DESCRIPTION	DATE	DWN	APVD
		C1	REVISED PER ECO-14-010107	03JUL2014	JA DM
		C2	REVISED PER ECO-16-006330	24MAR2016	VNB DM
		C3	REVISED PER ECO-16-009538	24JUN2016	JA DM



- SEE SHEET 2 FOR OTHER KEY ARRANGEMENTS.
- MOUNTING SCREW TORQUE VALUES ARE AS FOLLOWS:
 #6-19 SCREWS: 11-15 IN-LB [1.24-1.70 N-m].
 #4-20 SCREWS: 6-10 IN-LB [.68-1.13 N-M].
 VALUES VALID FOR PLASTITE 48 SCREWS ONLY.
- RECOMMENDED MOUNTING SCREWS (NOT INCLUDED): CAMCAR PLASTITE 48, SINGLE HELIX.
- THIS RECEPTACLE MATES WITH DT06-12SX-XXXX PLUG (X = A,B,C,D KEYS, XXXX = ALL MODIFICATIONS).
- CONTACT PLATING - MATING SIDE: NICKEL; PCB SIDE: TIN

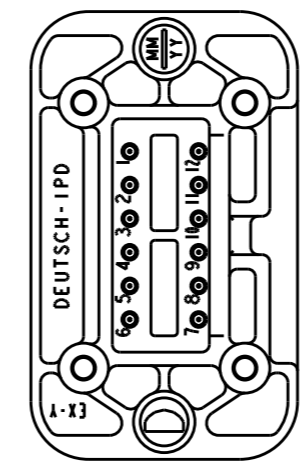
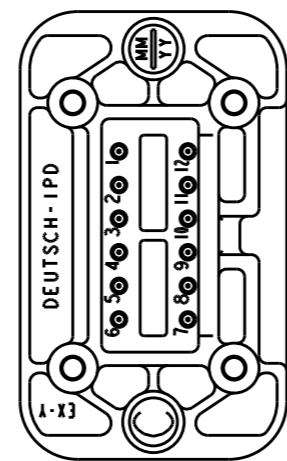
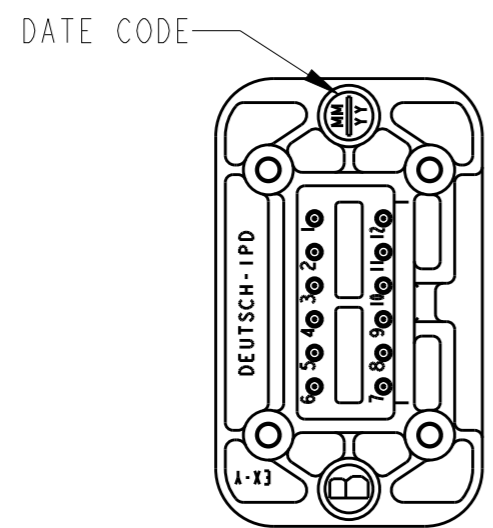
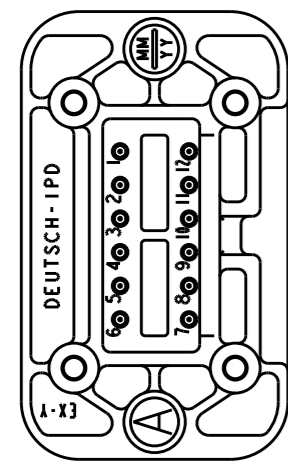
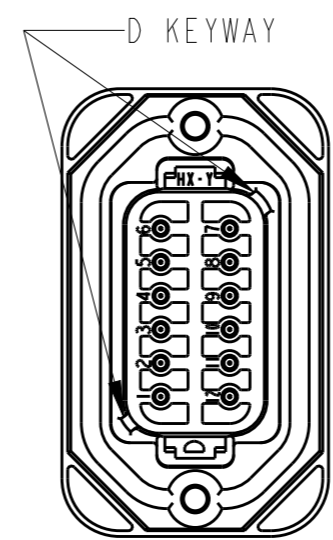
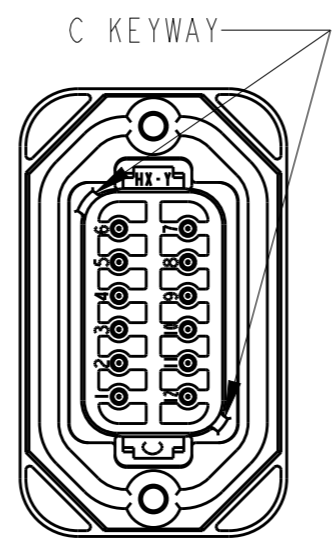
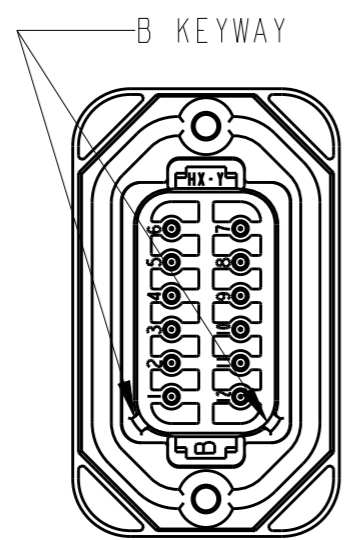
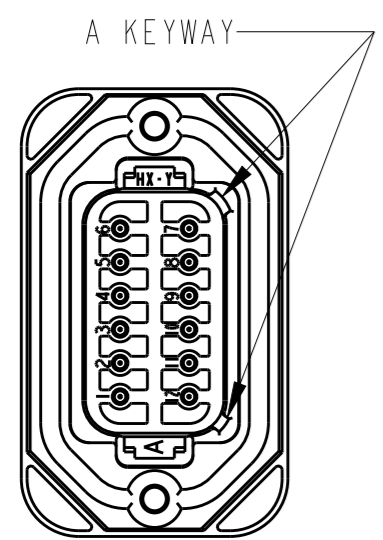
TE INTERNAL PN	DEUTSCH PN
DT15-12PA	DT15-12PA
DT15-12PB	DT15-12PB
DT15-12PC	DT15-12PC
DT15-12PD	DT15-12PD

- 2 MATERIALS:
 HOUSING/PIN SPACER: PA46 GF30 (SEE SHEET 2 FOR COLORS)
 FLANGE SEAL: VMQ (RED-ORANGE)
 PIN CONTACTS: COPPER ALLOY
- 1 DIMENSION TOLERANCE: ±.025 [.64]
 PANEL CUTOUT: ±.010 [.25]
 PIN LOCATIONS: ±.005 [.13]
 MOUNTING HOLE LOCATIONS: ±.010 [.13]

NOTES:

THIS DRAWING IS A CONTROLLED DOCUMENT.		DWN P. BURKE 08JUN2001					
DIMENSIONS: INCHES [mm]		CHK KEVIN MCKEE 03JUL2014					
TOLERANCES UNLESS OTHERWISE SPECIFIED:		APVD DAVID MEYER 03JUL2014					
0 PLC ± 1 PLC ± 2 PLC ± 3 PLC ± 4 PLC ± ANGLES ±0°30'0"		NAME RECEPTACLE HEADER 12 PIN 180 DEG DT SERIES					
MATERIAL		PRODUCT SPEC	SIZE A3	CAGE CODE 4AFU8	DRAWING NO. DT15-12PX	RESTRICTED TO	
FINISH		APPLICATION SPEC	CUSTOMER DRAWING		SCALE 3:2	SHEET 1 OF 2	REV C3

LOC		DIST		REVISIONS			
P	LTR	DESCRIPTION		DATE	DWN	APVD	
	-	SEE SHEET 1		-	-	-	

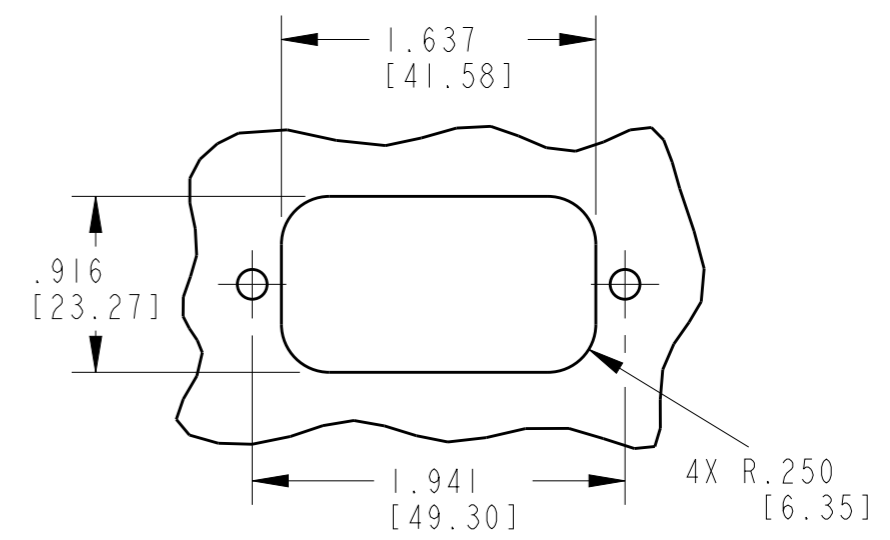
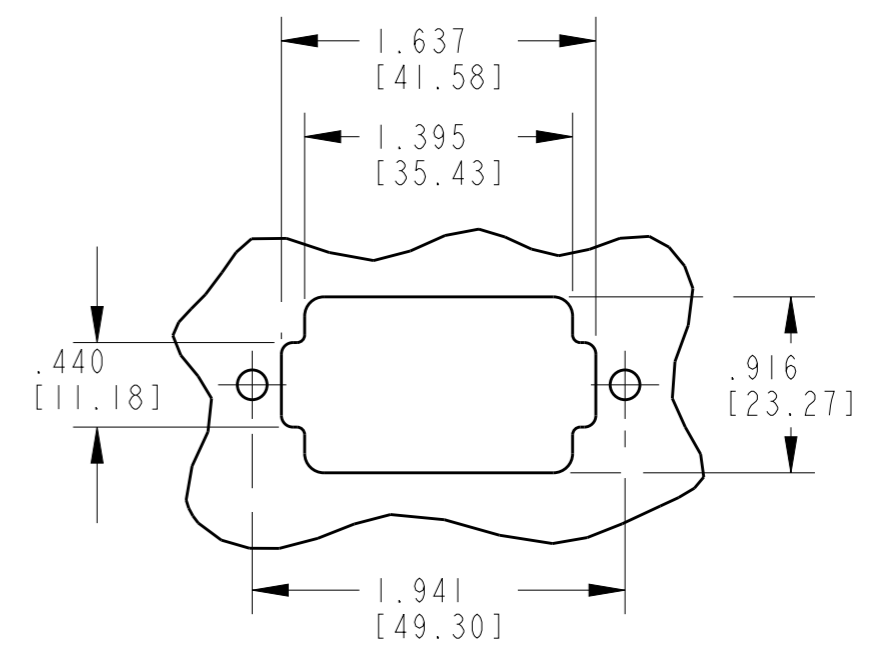


DT15-12PA
COLOR GREY

DT15-12PB
COLOR BLACK

DT15-12PC
COLOR GREEN

DT15-12PD
COLOR BROWN



RECOMMENDED PANEL CUTOUTS

THIS DRAWING IS A CONTROLLED DOCUMENT.		DWN P. BURKE 08JUN2001	TE Connectivity	
DIMENSIONS: INCHES [mm]		CHK KEVIN MCKEE 03JUL2014		
TOLERANCES UNLESS OTHERWISE SPECIFIED:		APVD DAVID MEYER 03JUL2014	NAME RECEPTACLE HEADER 12 PIN 180 DEG DT SERIES	
0 PLC ± 1 PLC ± 2 PLC ± 3 PLC ± 4 PLC ± ANGLES ±0°30'0"		PRODUCT SPEC	RESTRICTED TO	
MATERIAL 2		FINISH -	APPLICATION SPEC	SIZE A3
		WEIGHT	CAGE CODE 4AFU8	DRAWING NO DT15-12PX
		CUSTOMER DRAWING	SCALE 1:1	SHEET 2 OF 2
				REV C3